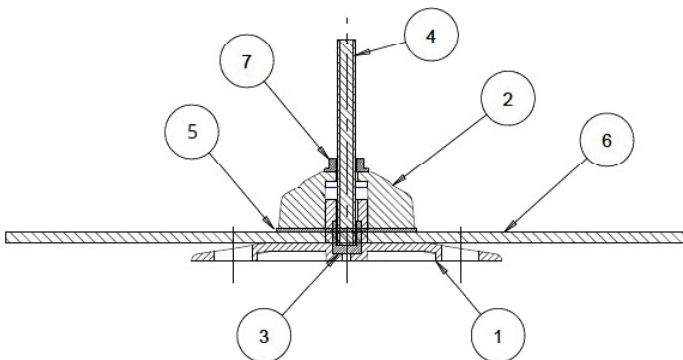
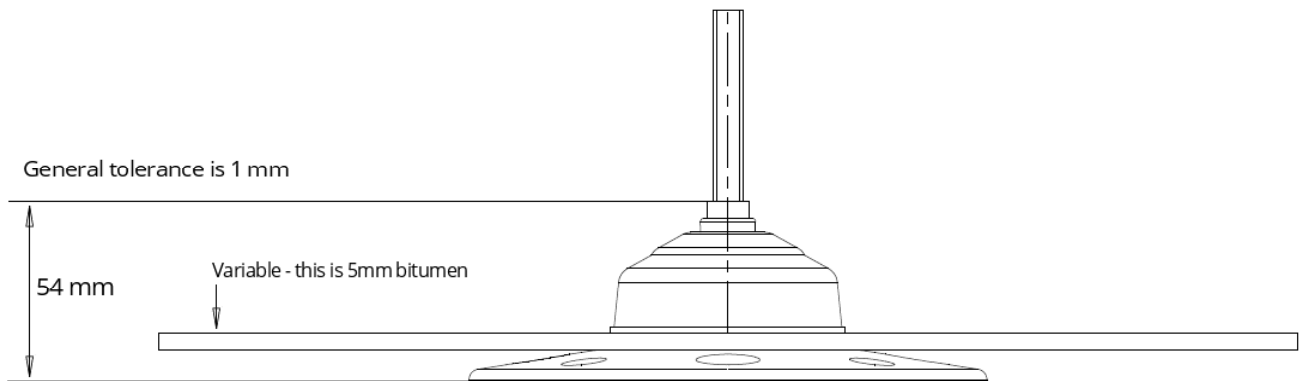


General tolerance is 1 mm



**No Qty. Description**

- |   |   |                          |
|---|---|--------------------------|
| 1 | 1 | Grondplaat               |
| 2 | 1 | Bolkap                   |
| 3 | 1 | Insert M10               |
| 4 | 1 | Draadeind M10            |
| 5 | 1 | EPDM afdichting 2mm      |
| 6 | 1 | Bitumen dakbedekking 5mm |
| 7 | 1 | Borgmoer 10mm            |